

Manual Fill Station

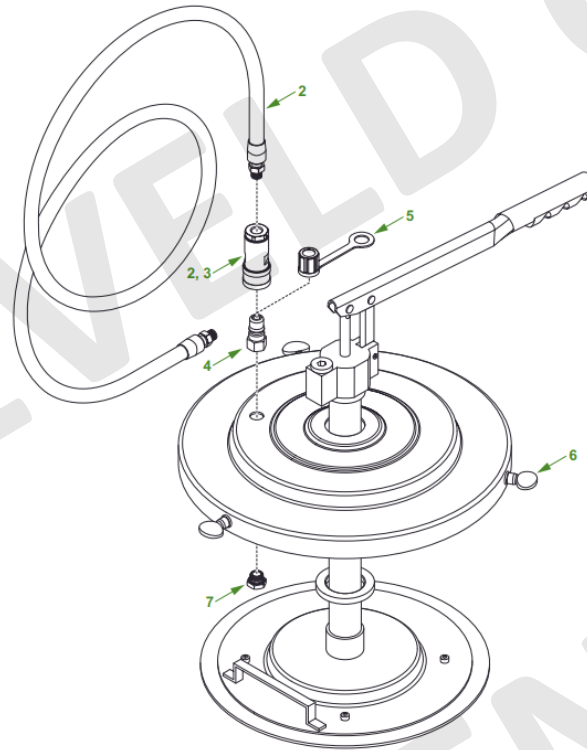


Groeneveld CQ
172 Maloney Steet
Kawana QLD 4701
Ph – 07 4936 4833

Manual filler pump (Heavy Duty) Complete Pump Part No. F121623

Includes:

- Hand operated pump
- Follower plate for inside drum
- Hose
- Female Quick Coupler for end of hose
- Male Quick Coupler to fit to lid
- Dust Cap
- ¼" BSP Nipple



Female Quick Coupler
Part No. F103083
This fitting comes with the
Manual Filler Pump.



Male Quick Coupler (Non Return)
Part No. F100056
This fitting is required on your
machine grease pump to connect
to the manual fill station.
This fitting does **NOT** come with
the Manual Filler Pump.



Dust Cap
Part No. F100258
To be fitted to Male Quick
Coupler on machine grease
pump.
This part does **NOT** come with
the Manual Filler Pump.

Grease Part No's.

HTOT 18kg – F174239

ZWO 18kg – F74237

EP2 18kg – F174240